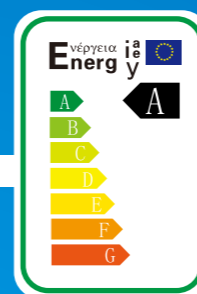
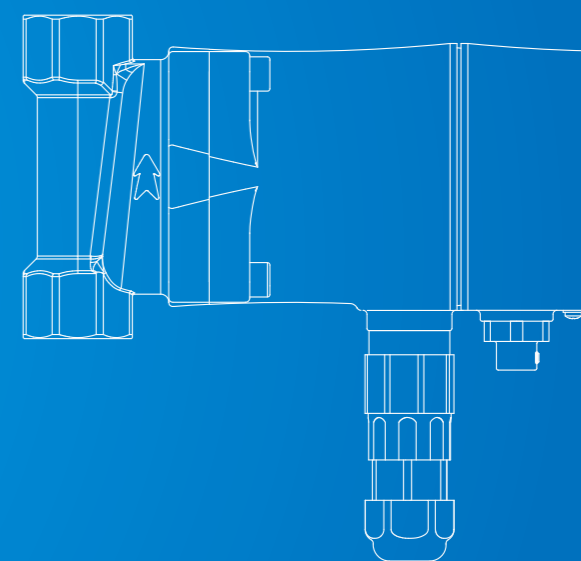
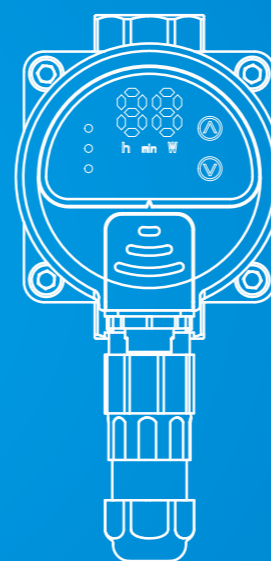


High Efficiency Circulation Pump 230V 50/60Hz

High Efficiency Circulation Pump



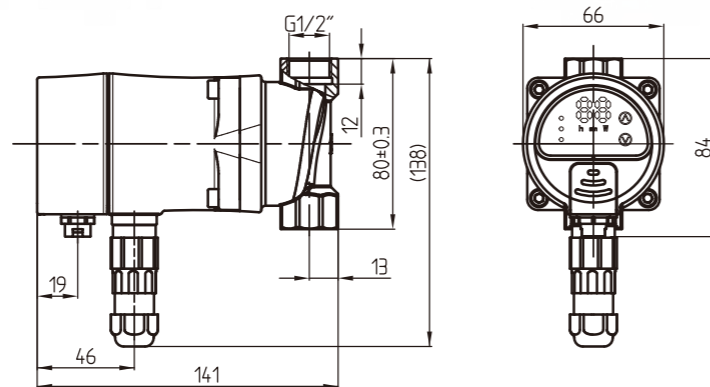
High Efficiency



Microcirculation Series



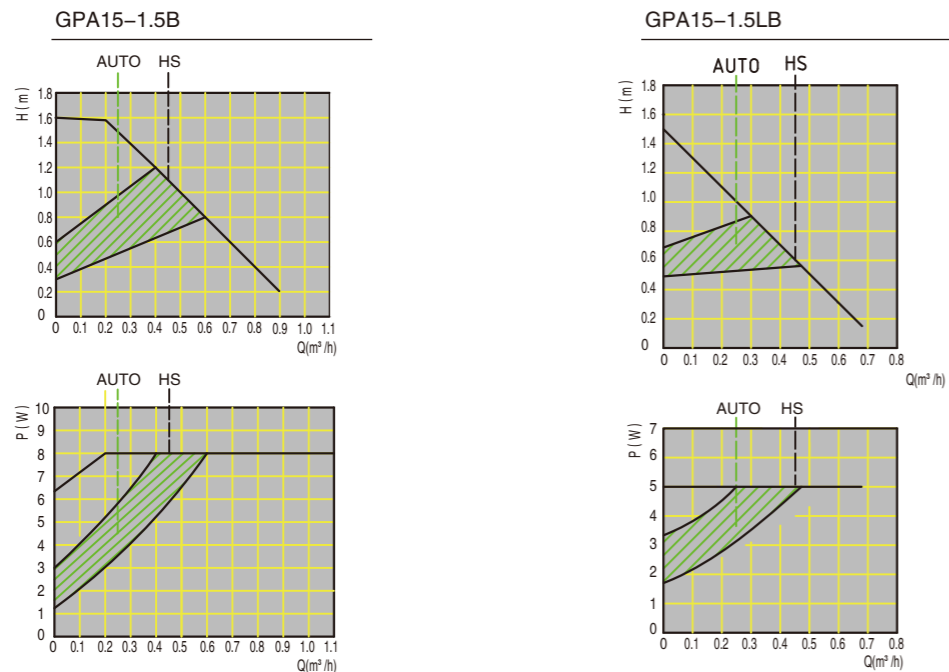
Installation Diagram



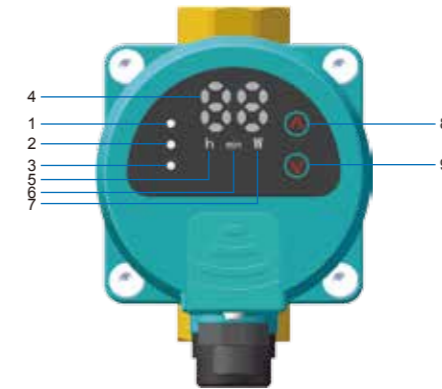
Product Parameters

Power (W)	Model	Max. Flow (m³/h)	Max. Head (m)	Power Supply Voltage	Material of Pump Body	Control Mode of Motor Pump				
						220~240V, 50/60Hz	Copper	Constant speed running mode	Auto operation mode	Temperature Control mode
8	GPA15-1.5B	0.9	1.5	●	●	●	●	●	●	●
5	GPA15-1.5LB	0.7	1.5	●	●	●	●	/	/	/

Performance Curve



Relation between Operation Model and Performance



Position	Descriptions
1	Indicating constant speed running mode
2	Indicating Auto operation mode
3	Indicating temperature control mode
4	1、 Power indicated 2、 running (or stop) time indicated in timing mode
5	Running (or stop) hours set in timing mode for display
6	Running (or stop) minutes set in timing mode for display
7	Power unit shown under normal operation
8	1、 Switch on various running modes 2、 Increasing time in timing mode
9	Decreasing time in timing mode

Control of Motor Pump	Performance Curve	Function
Constant speed running mode	HS	Pump runs in the constant speed when it is in constant speed running mode. Green light 1 as well as light 4 which is showing current power, will be always on while the light 7 will also be on.
Auto operation mode	HS	Pump will automatically exert necessary adjustment according to current systematic performance when it is in the auto operation mode. Green light 2 as well as light 4 which is showing current power, will be always on while the light 7 will also be on.
Auto operation mode	Auto	Temperature sensor will obtain the feedback in terms of fluid temperature and make a judgement on whether start or stop when it is in the indicating temperature control mode. In such mode, pump will stop when temperature is over 50 centigrades, but it will run in constant speed when temperature is below 36 centigrades. Green light 3, as well as light 4 which is showing current power, will be on while the light 7 will also be on.
Timing mode	HS	Pump will run in constant speed within time set by time controller when it is in timing mode. The light 4 indicates the current time by showing the hour and minute alternately. When it comes to the hour, light 5 will be on while light 6 is on in the case of showing the minute. User can set and inquire the start and end time point for 3 periods about the running of pumps. And time points for 3 period are unnecessary to be reset when the power is off due to the controller can keep a record of running parameters set by users automatically.
Flushing Function	HS	When pumps are in the mode of standby for 8 hours, pumps will restart automatically and then flush the pipe for 15 minutes. At the moment, it runs in the constant speed mode. The flushing function is effective when it is in either Temperature control mode or Timing mode. Under the circumstance, the light 7 is on as well as light 4 is shining and the current running power is presented.